

MARCH SPECIAL

Buy 100 -- Get 100 Free / Buy 1000 -- Get 1000 Free

MINIMUM ORDER of 300* Pieces

* Excluding the Free Items

Can combine products to reach minimum order. 100 / Package



VINYL

VINYL (Funneled)				NYLON (Straight)	
PART#	PRICE	GA	COLOR	PART#	PRICE
A2B-S	\$ 8.65/C	22-18	RED	A4B-S	\$ 10.95/C
B2B-S	\$ 7.95/C	16-14	BLUE	B4B-S	\$ 10.95/C
C2B-S	\$ 11.20/C	12-10	YELLOW	C4B-S	\$ 18.60/C



NYLON

Buy 100 -- Get 100 Free

MINIMUM ORDER of 100* Pieces

* Excluding the Free Items

Can combine products to reach minimum order. 25 / Package



CRIMP SHRINK TUBE TERMINALS				
PART#	COST PER 100	GA	COLOR	
A1B-ST-S	\$ 31.00/C	22-18	RED	
B1B-ST-S	\$ 32.00/C	16-14	BLUE	
C1B-ST-S	\$ 46.00/C	12-10	YELLOW	



THREADLOCKER GEL



The NEW Dynatex Threadlocker Gel Pump (35ml Pump) outperforms the leading gel and stick products in the marketplace. Stays where it is applied and will not run. Easy cleanup. Just wipe nozzle with clean rag and close cap. Easy to use self-metering pump eliminates waste. Easy to apply. No drips. No mess. Works on bolts from 1/4 to 1" (6mm-25mm). Typical Applications include cup and core plugs, starter mounting bolts, alternator mounting bolts, oil pan bolts, intake manifold bolts, drive shaft bolts, pulley bolts, valve cover bolts and more.



PART#	DESCRIPTION	SALE
DYN-49446-S	Blue Medium Strength Gel Threadlocker	\$ 18.52 / Each
DYN-49456-S	Red Super Strength Gel Threadlocker	\$ 18.52 / Each

Dynatex® Blue Medium Strength Boltlocker is a medium strength anaerobic threadlocking material, which cures between engaged threads to form a unitized assembly that resists virtually all leakage, shock and vibration. The product is a single component, anaerobic gel that cures when confined in the absence of air between close fitting metal surfaces. Ideal for all 1/4 inch to 1 inch diameter nut and bolt assemblies. Excellent chemical resistance with a temperature resistance range of -65°F to 350°F (-54°C to 177°C). Easily removable with hand tools for servicing requirements. Protects against thread corrosion.

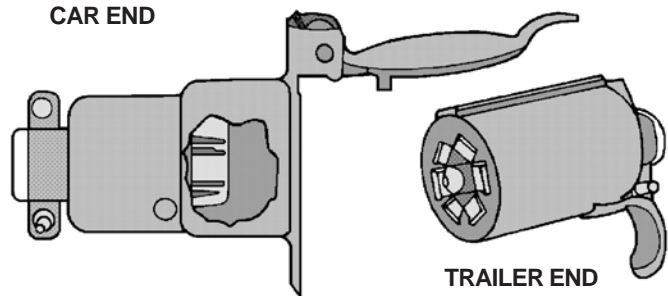
Dynatex® Red Super Strength Boltlocker is a high strength anaerobic threadlocking material, which cures between engaged threads to form a unitized assembly that resists virtually all leakage, shock and vibration. The product is a single component, anaerobic gel that cures between engaged threads to form a unitized assembly that resists virtually all leakage, shock and vibration. Ideal for all 1/4 inch to 1 inch diameter nut and bolt assemblies where future disassembly is improbable. Excellent chemical resistance with a temperature resistance range of -65°F to 350°F (-54°C to 177°C). Fixture tight in minutes. Protects against thread corrosion.

7-WAY & 6-WAY SALE

OUR FREIGHT POLICY DOES NOT APPLY TO THIS SPECIAL AND DOES NOT COUNT TOWARDS FREIGHT ALLOWANCE ORDERS

RV METAL 7-WAY CONNECTOR

Latest design, self-wiping pressure contacts. Heavily plated for maximum weather and corrosion resistance. Stainless steel cover spring. Jumbo welded pistol grip. Unique safety latch prevents damage from accidental pull-away. Specifically designed vinyl inserts keep out dirt and moisture. Color-coded to RVI standards. Detailed instructions for both 6-way and 7-way applications.

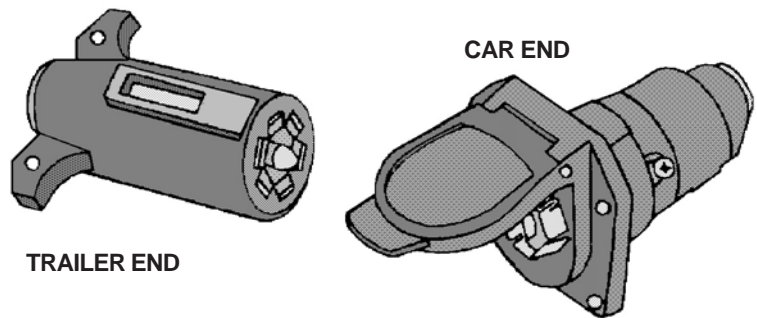


MINIMUM ORDER:
25 PIECES
PER PART NUMBER

PART#	DESCRIPTION	PRICE
P-12-703-S	CAREND	3.66/ea
P-12-702-S	TRAILER END	2.71/ea
P-12-700-S	COMPLETE	6.24/ea

RV PLASTIC 7-WAY CONNECTOR

This RV electrical control eliminates rusting, poor appearance and difficulty in plug removal. New design offers dual grips for ease of removal from socket and incorporates vinyl inserts to keep out dirt and moisture. Interior design prevents internal short-circuiting and safety latch prevents damage from accidental pull-away. Color-coded to RVI standards and is interchangeable with other well-known RV types. Detailed instructions for both 6-way and 7-way applications.

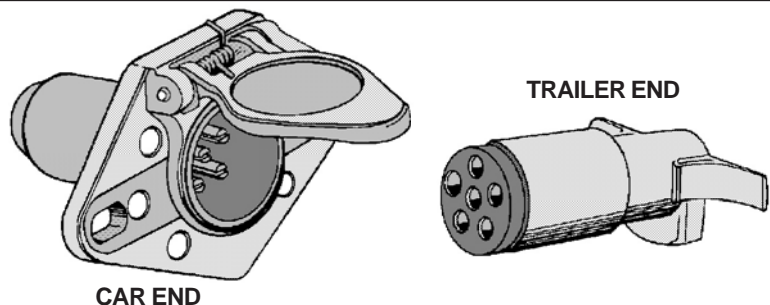


MINIMUM ORDER:
25 PIECES
PER PART NUMBER

POLLAK PART#	DESCRIPTION	PRICE
P-12-707-S	CAREND	2.95/ea
P-12-706-S	TRAILER END	2.26/ea
P-12-705-S	COMPLETE	4.78/ea

METAL 6-WAY CONNECTOR

Heavy-duty 6-way die cast connector with cyclac interiors. Unique cable clamp gives more support; saves installation time. Concealed terminal socket design, stainless steel spring. Unit is dust and water resistant.



MINIMUM ORDER:
15 PIECES
PER PART NUMBER

PART#	DESCRIPTION	PRICE
P-11-609-S	CAREND	4.71/ea
P-11-604-S	TRAILER END	3.08/ea
P-11-603-S	COMPLETE	7.63/ea